

**NEOZ**

# VICTORIA

## CORDLESS TABLE LAMP



DESIGNED & ASSEMBLED  
IN AUSTRALIA



5 YEARS  
WARRANTY



95+ CRI  
LED



ALL PARTS  
REPLACEABLE



INTERNATIONAL  
DELIVERY



Lacquered  
Forged Brass with  
Cotton Shade

Lacquered  
Forged Brass with  
Pleated Silk Shade

**NEW**  
Lacquered  
Forged Brass with  
Frosted Glass Shade

**NEW**  
Lacquered  
Forged Brass with  
Amber Glass Shade

**NEW**  
Lacquered  
Forged Brass with  
Green Glass Shade

Lacquered  
Forged Brass with  
No Shade



Natural  
Aged Brass with  
Cotton Shade

Natural  
Aged Brass with  
Pleated Silk Shade

**NEW**  
Natural  
Aged Brass with  
Frosted Glass Shade

**NEW**  
Natural  
Aged Brass with  
Amber Glass Shade

**NEW**  
Natural  
Aged Brass with  
Green Glass Shade

Natural  
Aged Brass with  
No Shade



18 Karat  
Gold Plating with  
Cotton Shade

18 Karat  
Gold Plating with  
Pleated Silk Shade

**NEW**  
18 Karat  
Gold Plating with  
Frosted Glass Shade

**NEW**  
18 Karat  
Gold Plating with  
Amber Glass Shade

**NEW**  
18 Karat  
Gold Plating with  
Green Glass Shade

18 Karat  
Gold Plating with  
No Shade

NEOZ  
The darling of  
dining tables  
[www.neoz.com](http://www.neoz.com)

Contact  
20 Tepko Road Terrey Hills  
NSW 2084 Australia  
Tel +61 2 9810 5520  
Fax +61 2 9555 1054  
Email [sales@neoz.com.au](mailto:sales@neoz.com.au)

Service  
All parts are replaceable or  
recyclable.  
Technical support available  
at [service@neoz.com.au](mailto:service@neoz.com.au)

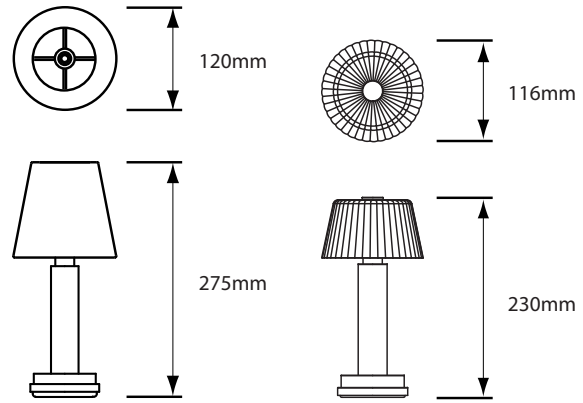
NEOZ Warranty  
NEOZ warrants the cordless  
lamp range for 5 years from  
the date of purchase.  
For further information, see  
[www.neoz.com.au/warranty](http://www.neoz.com.au/warranty)



## VICTORIA - Technical Description

Handmade cotton, pleated silk or hand-blown glass lampshade on a solid forged and polished brass base, this refined cordless lamp provides direct downlight and soft diffused sidelight. Available in lacquered brass, natural aged brass or 18 karat gold 0.5 micron plated finish. Digital 3 step dimming.

|                       |   |
|-----------------------|---|
| Designer              | Peter Ellis, Tammy Chiew, Gabriel Tam           |
| Year of Design        | 2014 / 2023                                     |
| IP Rating             | Fabric - IP30<br>Glass - IP52                   |
| Dimensions            | Fabric - 275mm x 120mm<br>Glass - 230mm x 116mm |
| Weight                | Fabric - 0.80kg<br>Glass - 0.85kg               |
| Approvals & Standards | CE, CSA, C-Tick, FCC, RoHS, SASO                |
| EU Energy Regulation  | Exempt - LED lamps operate on batteries         |



## Lamp Control Unit Options

| Type | Battery                                   | Cells | Charge Time | Light Source Option                 | Colour Temperature (Kelvin) | Operating Time (hours) |     |     | Brightness (lumens) | CRI* | Bulb Life (Hours) |
|------|---|-------|-------------|-------------------------------------|-----------------------------|------------------------|-----|-----|---------------------|------|-------------------|
|      |   |       |             |                                     |                             | High                   | Med | Low |                     |      |                   |
| UNO  | Panasonic Li-ion 3.7V 2900mAh 500+ cycles | 1     | 5.5hrs      | 1W LED Warm White (Standard)        | 2600k                       | 13                     | 35  | 130 | 68+                 | 95+  | 50,000+           |
|      |   |       |             | 1W LED Warm Candle White (Optional) | 1800k                       | 13                     | 35  | 130 | 58+                 | 93+  | 50,000+           |

**COLOUR RENDERING INDEX (CRI)** The quantitative measure of the ability of a light source to reproduce the colors of various objects faithfully in comparison with an ideal or natural light source. The highest possible CRI is 100.

**POWER SOURCE** 100 - 240V Switch-Mode Electronic Power Supply  
Approved for worldwide usage supplied with appropriate mains electric plug type

## Recharging Options



Single Lamp Charger  
**1 Lamp**



Small Recharging Tray  
**4 Lamps**



Large Recharging Tray  
**12 Lamps**



Small Recharging Station  
**24 Lamps**



Medium Recharging Station  
**36 Lamps**



Large Recharging Station  
**48 Lamps**